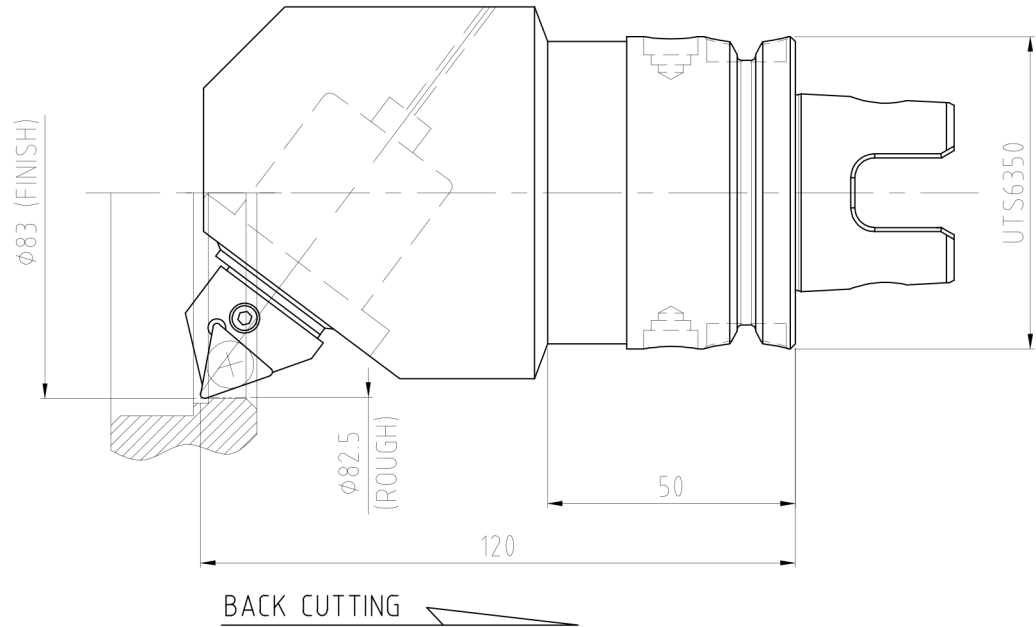
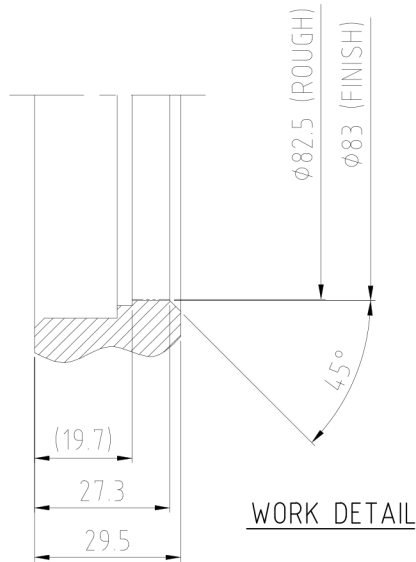


FOR APPROVAL

NO	DATE	REVISION	DRAWN
△			
△			

NOTE

1. Number of teeth : 1
2. Weight : 3.8 kg
3. Balance : 6.3 G (5,000 rpm)
4. Right Hand Shown



NO	NAME	SPECIFICATION	Q'TY	MATERIAL	REMARK
3	INSERT	TNGA160408 GH110	1	TUNGALOY	
2	MICRO UNIT	FA4-FAPN41 (LH)	1	MITSUBISHI	
1	BODY		1		

LENGTH LIMIT (mm)	ALLOWANCE			
	LENGTH	ANGLE	STRAIGHTNESS FLATNESS	PERPENDICULARITY
L ≤ 6	±0.1	±5'	0.05	0.4
6 < L ≤ 30	±0.2	±10'	0.1	0.4
30 < L ≤ 120	±0.3	±20'	0.2	0.4
120 < L ≤ 400	±0.5	±30'	0.4	0.6
400 < L	±0.8	±1°	0.6	0.8

Date	Designed	Checked	Approved
	Choi, J.H	Park, S.Y	Choi, S.J
CUSTOMER :			
PROJECT :			
PART NAME :			
DIM'S	mm	PROJECTION	3rd
SCALE	N/S	SIZE	A3

TITLE
BORING TOOL
ITEM NO. :
SPEC. :
DWG NO. :
MYKEYTOOL Co.,Ltd.