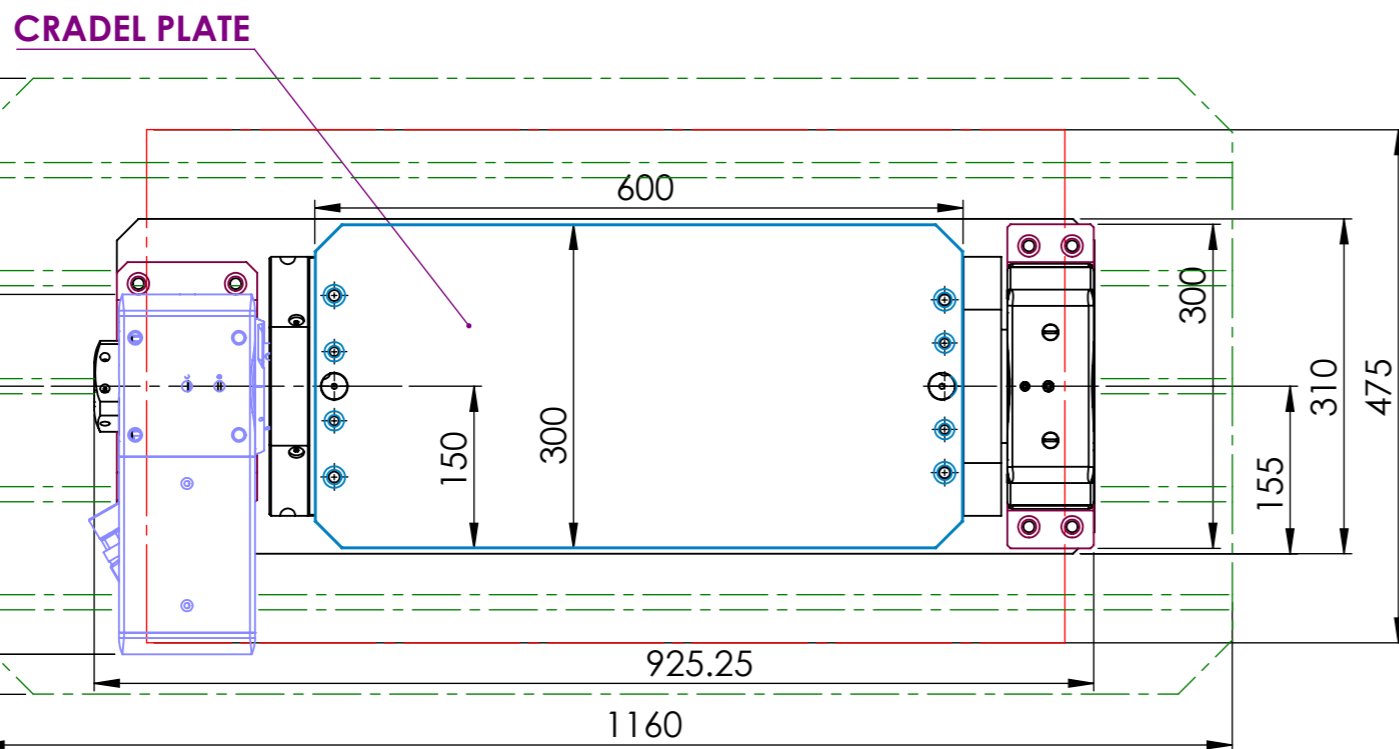
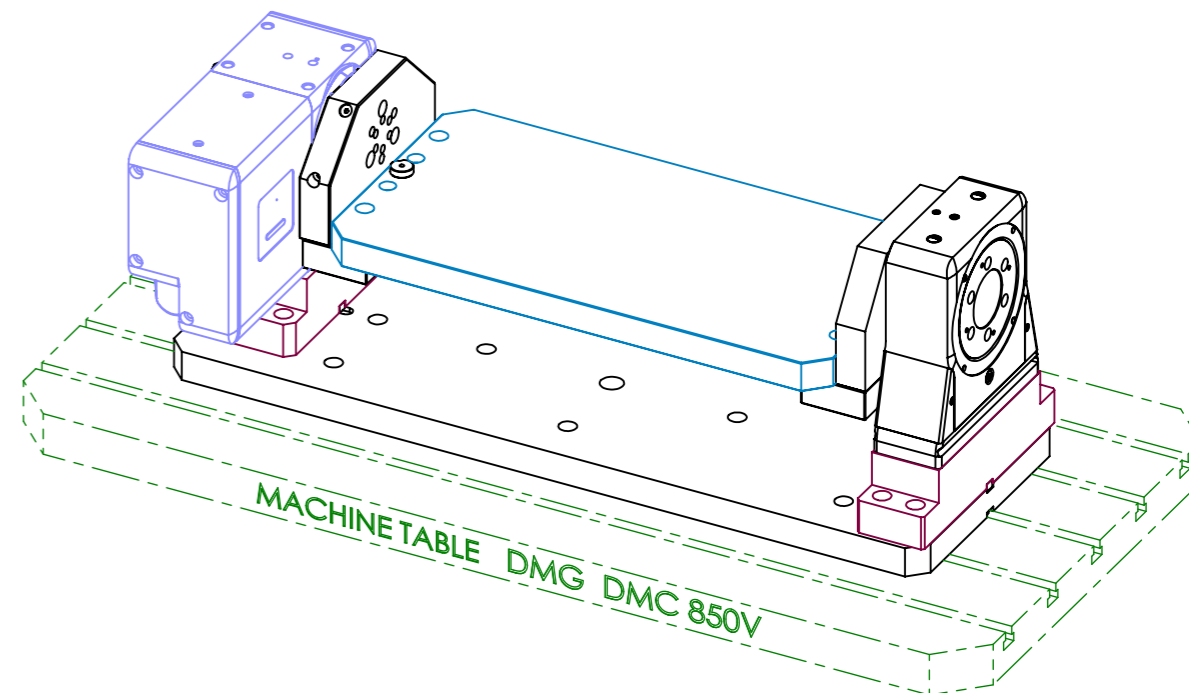
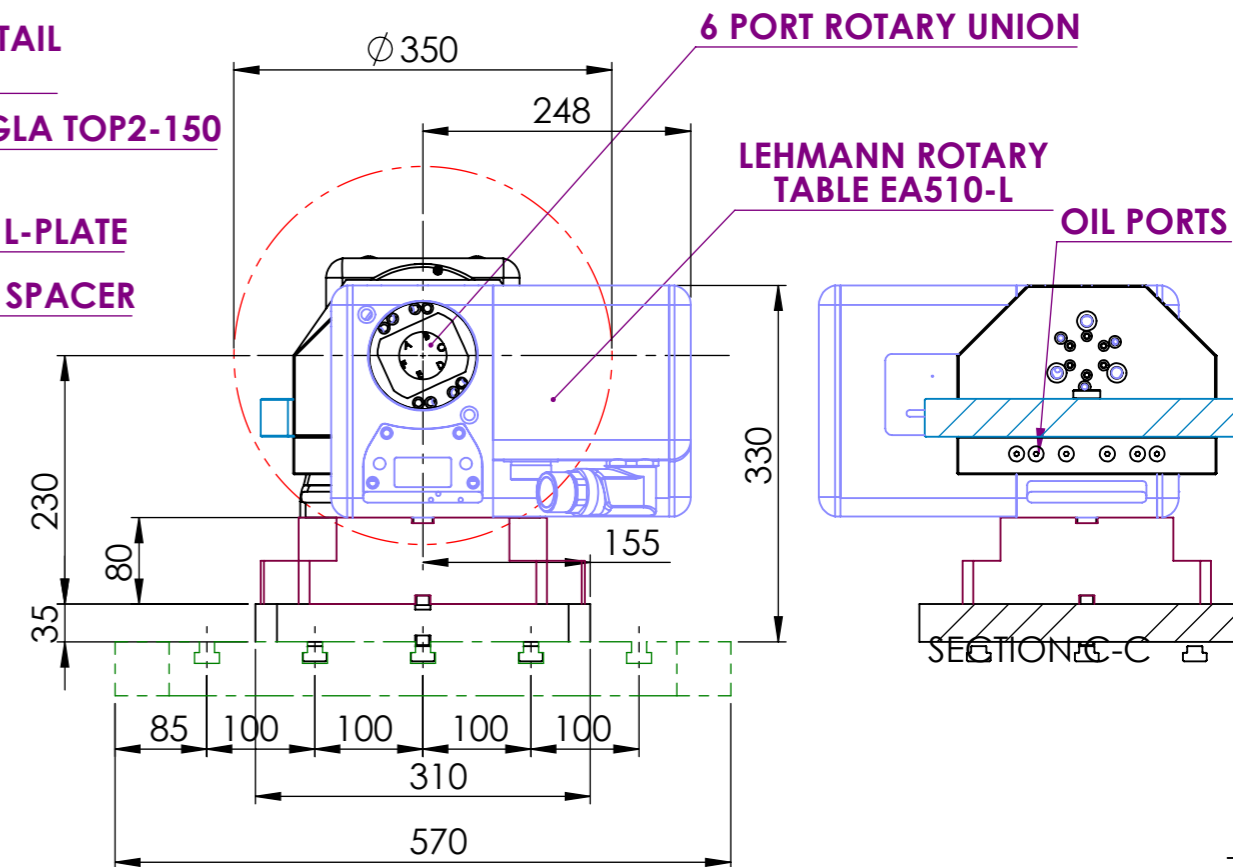
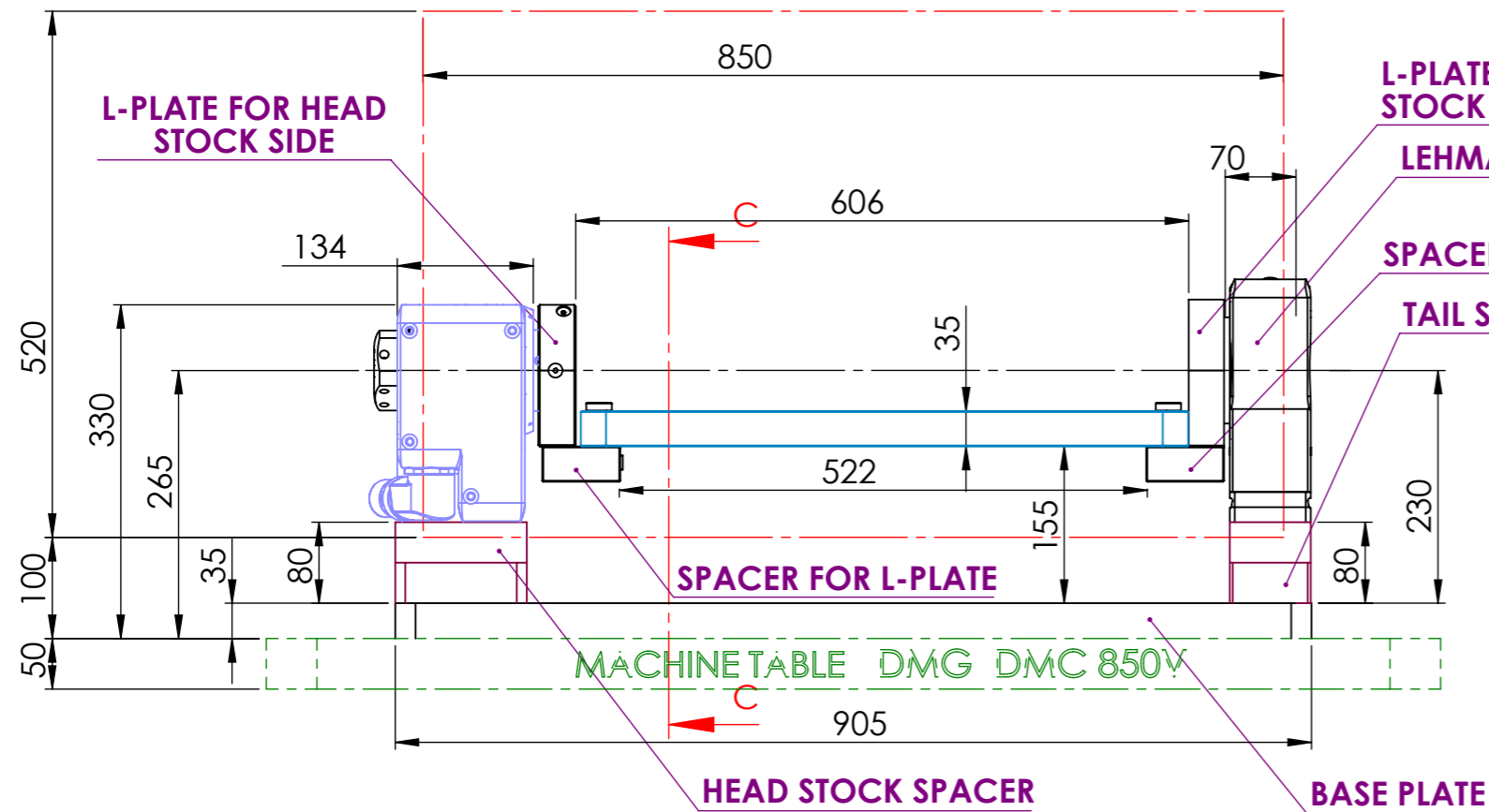



# DAP LAYOUT WITH EA510-L ROTARY TABLE



GENERAL TOLERANCE	ANGULAR	LINEAR
±12'	±10'	±0.8
±10'	±10'	±0.5
±8'	±10'	±0.3
±6'	±10'	±0.2
±4'	±10'	±0.1

SYMBOL	TOLERANCE	VALUE IN $\mu$
AS PER IS	±0.1	±0.1
AS PER IS	±0.2	±0.2
AS PER IS	±0.3	±0.3
AS PER IS	±0.5	±0.5
AS PER IS	±0.8	±0.8
AS PER IS	±1.0	±1.0
AS PER IS	±1.5	±1.5
AS PER IS	±2.0	±2.0
AS PER IS	±3.0	±3.0
AS PER IS	±4.0	±4.0
AS PER IS	±5.0	±5.0
AS PER IS	±6.0	±6.0
AS PER IS	±8.0	±8.0
AS PER IS	±10.0	±10.0
AS PER IS	±12.0	±12.0
AS PER IS	±15.0	±15.0
AS PER IS	±20.0	±20.0
AS PER IS	±25.0	±25.0
AS PER IS	±30.0	±30.0
AS PER IS	±40.0	±40.0
AS PER IS	±50.0	±50.0
AS PER IS	±63.0	±63.0
AS PER IS	±80.0	±80.0
AS PER IS	±100.0	±100.0
AS PER IS	±125.0	±125.0
AS PER IS	±160.0	±160.0
AS PER IS	±200.0	±200.0
AS PER IS	±250.0	±250.0
AS PER IS	±315.0	±315.0
AS PER IS	±400.0	±400.0
AS PER IS	±500.0	±500.0
AS PER IS	±630.0	±630.0
AS PER IS	±800.0	±800.0
AS PER IS	±1000.0	±1000.0

CADD DRAWING NO MANUAL CORRECTIONS	HARDNESS HRC	QUANTITY
ALL UNSPECIFIED RADIUS R-	ALL UNSPECIFIED CHAMFERS TO BE 0.5x45'	CASE DEPTH HRC
DRAWN BY SHIVA 07-08-2018	ORIGINAL REF. DRG	MATERIAL
CHECKED BY	MAX WEIGHT:	KgS
SCALE NTS	DAP LAYOUT WITH EA510-L ROTARY TABLE	

  
 Future Technologies  
 14-A, Belmar Industrial Estate, Rd, Nagasandra Main Rd, Bengaluru, 560073  
 IDENT-NR.:  
 ASSY NUMBER  
**RN1406**