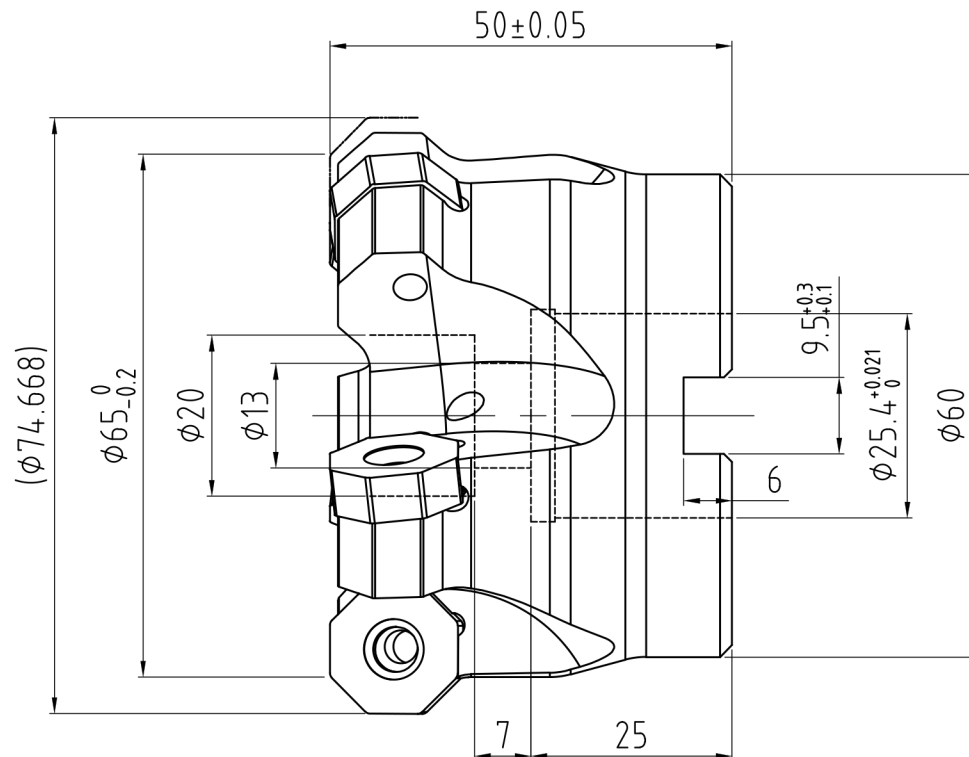
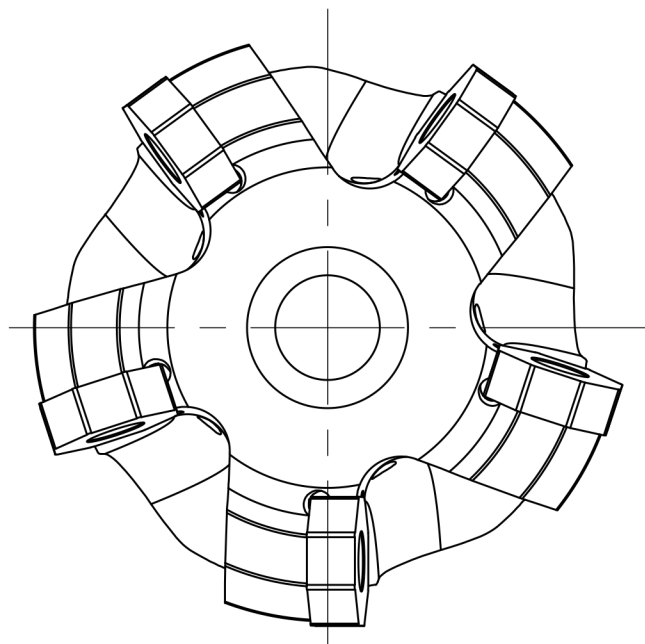


FOR APPROVAL

NO	DATE	REVISION	DRAWN
△			
△			




NO	NAME	SPECIFICATION	Q'TY	MATERIAL	REMARK
3	INSERT SCREW	FTGA0513	5		
2	INSERT	ONHX060608-MM PC6510	5	FC450	
1	BODY		1		

LENGTH LIMIT (mm)	ALLOWANCE			
	LENGTH	ANGLE	STRAIGHTNESS FLATNESS	PERPENDICULARITY
L ≤ 6	±0.1	±5'	0.05	0.4
6 < L ≤ 30	±0.2	±10'	0.1	0.4
30 < L ≤ 120	±0.3	±20'	0.2	0.4
120 < L ≤ 400	±0.5	±30'	0.4	0.6
400 < L	±0.8	±1°	0.6	0.8

Date	Designed	Checked	Approved
	Park,S.Y	Park,S.Y	Choi,S.J

CUSTOMER :			
PROJECT :			
PART NAME :			
DWG'S SCALE	mm N/S	PROJECTION SIZE	3rd A3

TITLE :	FACE MILL
ITEM NO. :	
SPEC. :	
DWG. NO. :	


KEYTOOL Co.,Ltd.