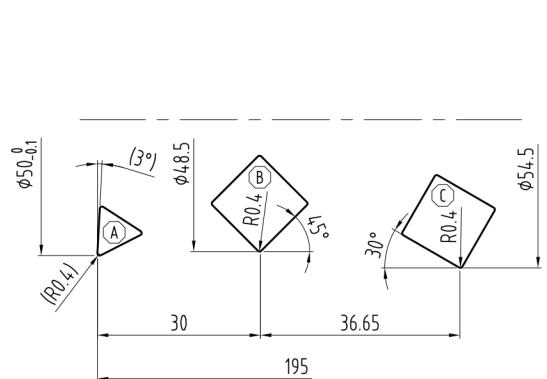
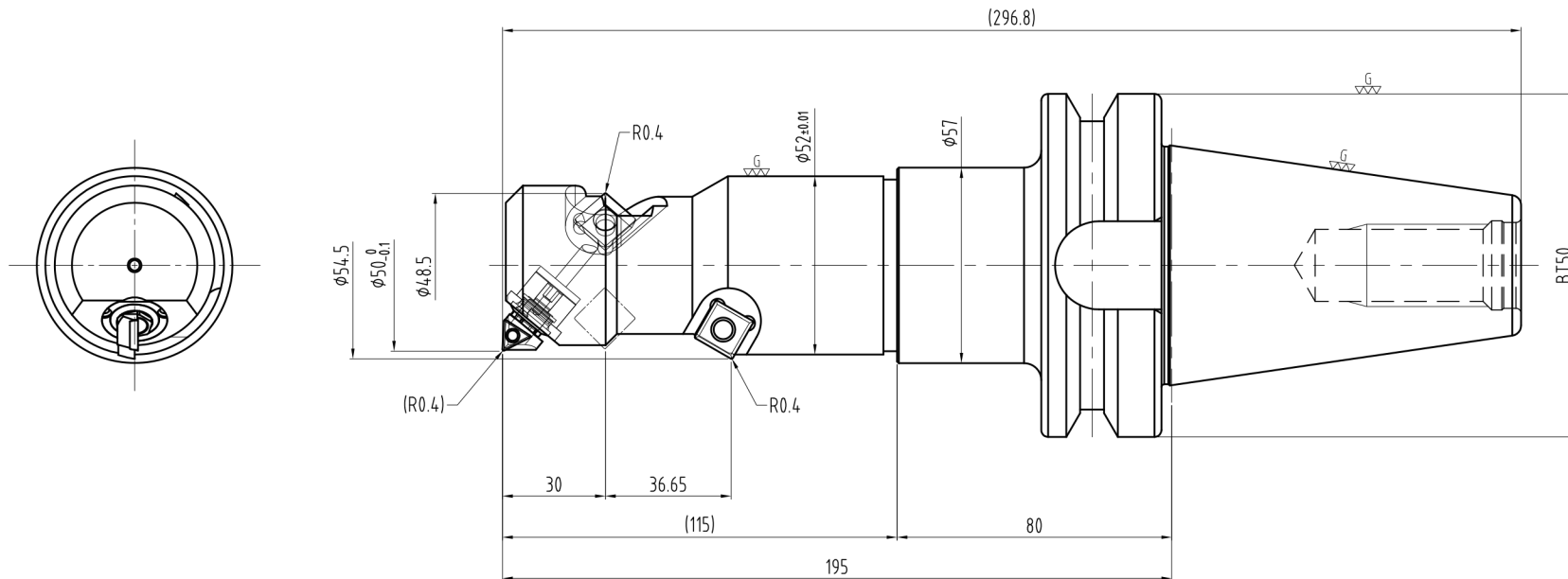
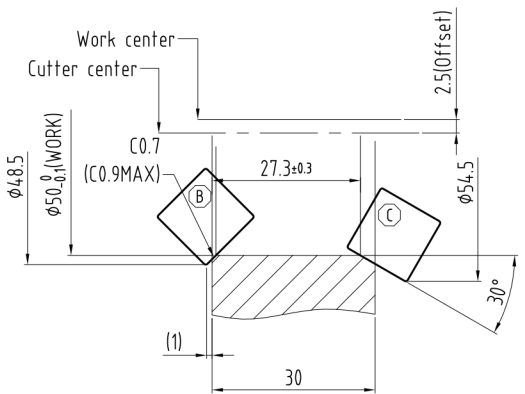


FOR APPROVAL

NO	DATE	REVISION	DRAWN
1	2018.06.29	SPMT120404 change to SCM120404	
2			



Generated cut view (3:2)



Chamfer processing position

NO	NAME	SPECIFICATION	Q'TY	MATERIAL	REMARK
4	INSERT	SCMT120404	2	Tangaloy	
3	INSERT	TPGW090204	1		
2	MICRO UNIT	FA1-FASP11	1	MITSUBISHI	
1	BODY		1		

LENGTH LIMIT (mm)	ALLOWANCE			
	LENGTH	ANGLE	STRAIGHTNESS FLATNESS	PERPENDICULARITY
L ≤ 6	±0.1	±5'	0.05	0.4
6 < L ≤ 30	±0.2	±10'	0.1	0.4
30 < L ≤ 120	±0.3	±20'	0.2	0.4
120 < L ≤ 400	±0.5	±30'	0.4	0.6
400 < L	±0.8	±1°	0.6	0.8

Date	Designed	Checked	Approved	TITLE :
	Choi, J.H	Park, S.Y	Choi, S.J	BORING TOOL
CUSTOMER :				ITEM NO. :
PROJECT :				SPEC. :
PART NAME :				DWG. NO. :
DIM'S SCALE	mm N/S	PROJECTION SIZE	3rd A3	

MYKEYTOOL Co.,Ltd.