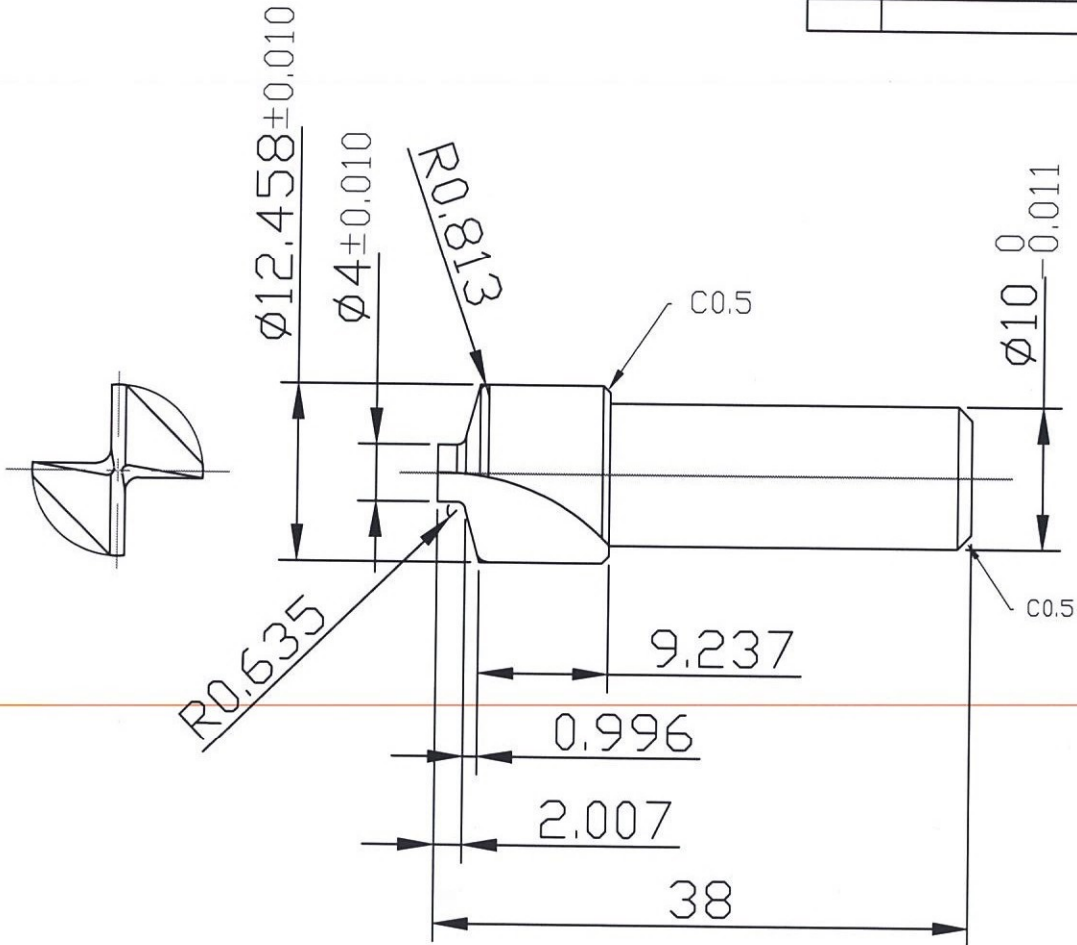


Process

RevNo	Revision note	Date	Sign.	Checked
		22/12/18		



General Tol.	-	-	Cutting tools	SEE DETAIL	-	--	Coating		
Dim.	Dec.	Itemref	Quantity	Title/Name.	Dimension	Material	Weight (kg)		
6	±0.1	Customer.	Project No.	Article No./Refer.	Designed by-date	Checked by-date	Approved by-date		
6-18	±0.2	-	-	--		22-12-18			
18-50	±0.3	CRM				Metric	Burnishing $\phi 4 \times \phi 12.458 \times \phi 10 \times 35L-2F$	Date	
.X	±0.5					A4		25/12/2018	
.XX	±0.25					Drawing No.	Material.	Revision	Sheet
.XXX	±0.05					CRM2018-12-0002	K10	0	1 of 1