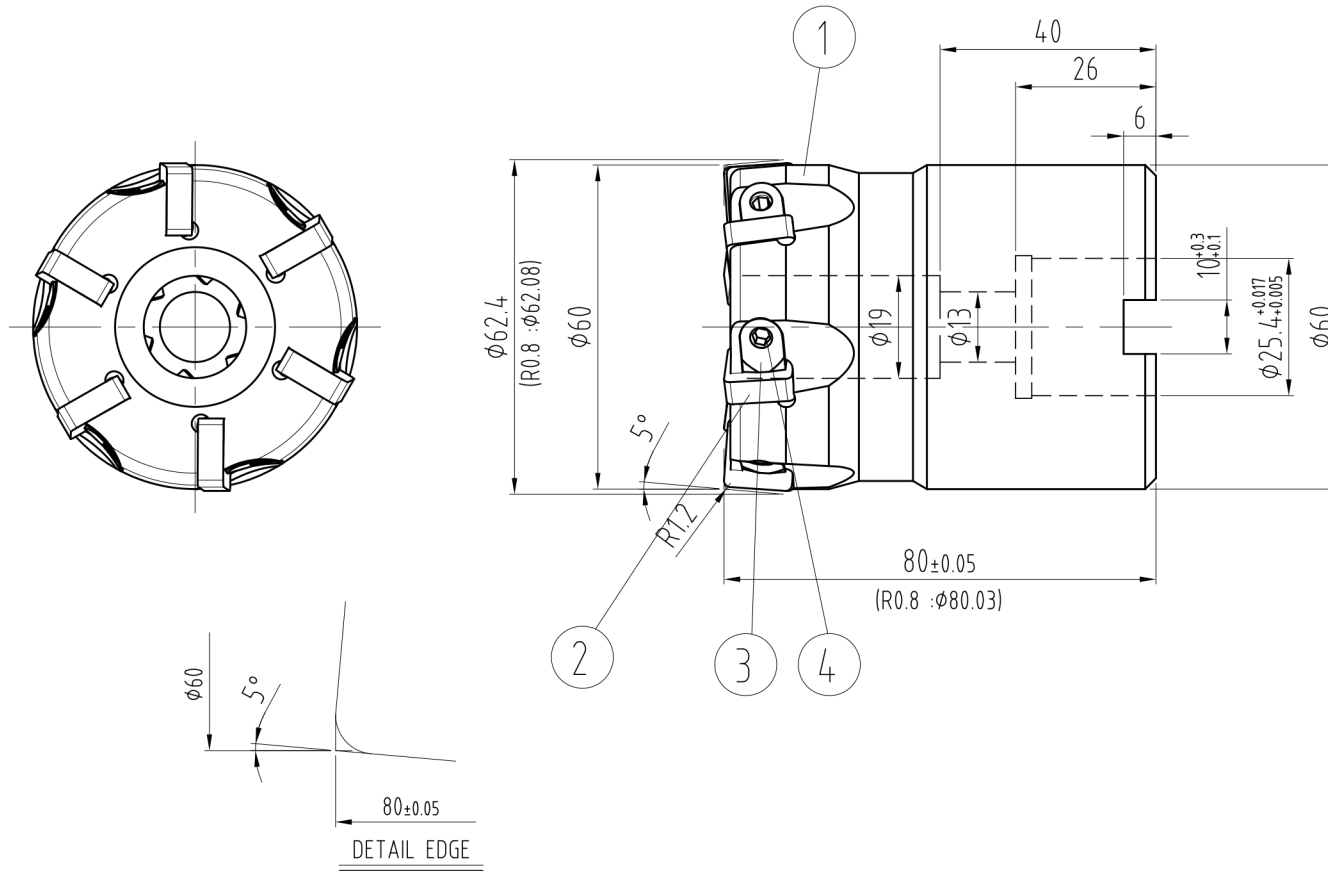


FOR APPROVAL

NO	DATE	REVISION	DRAWN
①			
②			



NO	NAME	SPECIFICATION	Q'TY	MATERIAL	REMARK
5					
4	WEDGE SCREW	W6x20H	6		
3	WEDGE	WS612	6		
2	INSERT	SNGN1204.12	6		
1	BODY		1		

LENGTH LIMIT (mm)	ALLOWANCE			
	LENGTH	ANGLE	STRAIGHTNESS FLATNESS	PERPENDICULARITY
$L \leq 6$	± 0.1	$\pm 5'$	0.05	0.4
$6 < L \leq 30$	± 0.2	$\pm 10'$	0.1	0.4
$30 < L \leq 120$	± 0.3	$\pm 20'$	0.2	0.4
$120 < L \leq 400$	± 0.5	$\pm 30'$	0.4	0.6
$400 < L$	± 0.8	$\pm 1^\circ$	0.6	0.8

Date	Designed	Checked	Approved	TITLE :
	Choi, J.H	Park, S.Y	Choi, S.J	FACE CUTTER
CUSTOMER :				ITEM NO. :
PROJECT :				SPEC. :
PART NAME :				DWG. NO. :
DIM'S SCALE	mm N/S	PROJECTION SIZE	3rd A3	
				MYKEYTOOL Co.,Ltd.