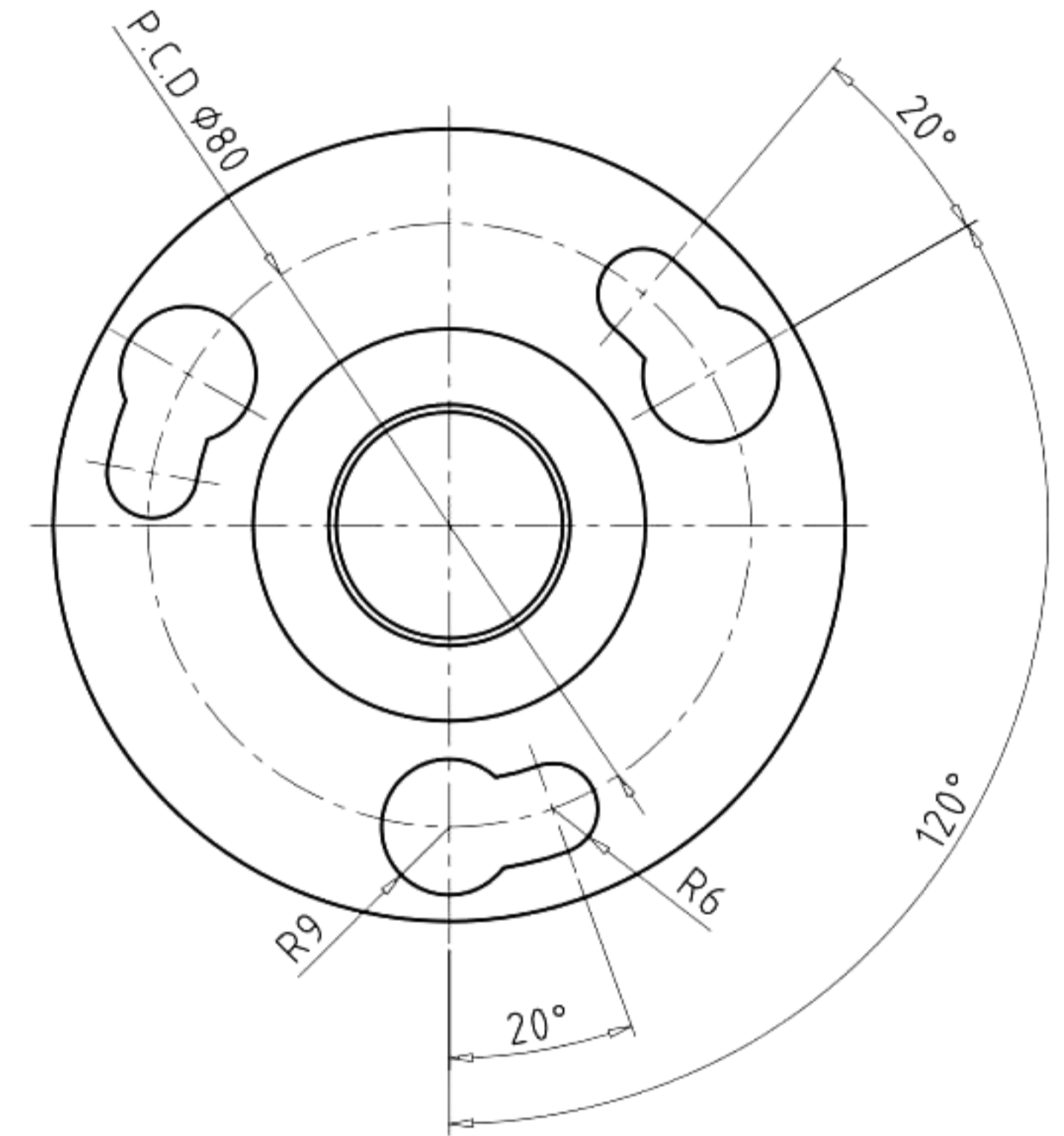
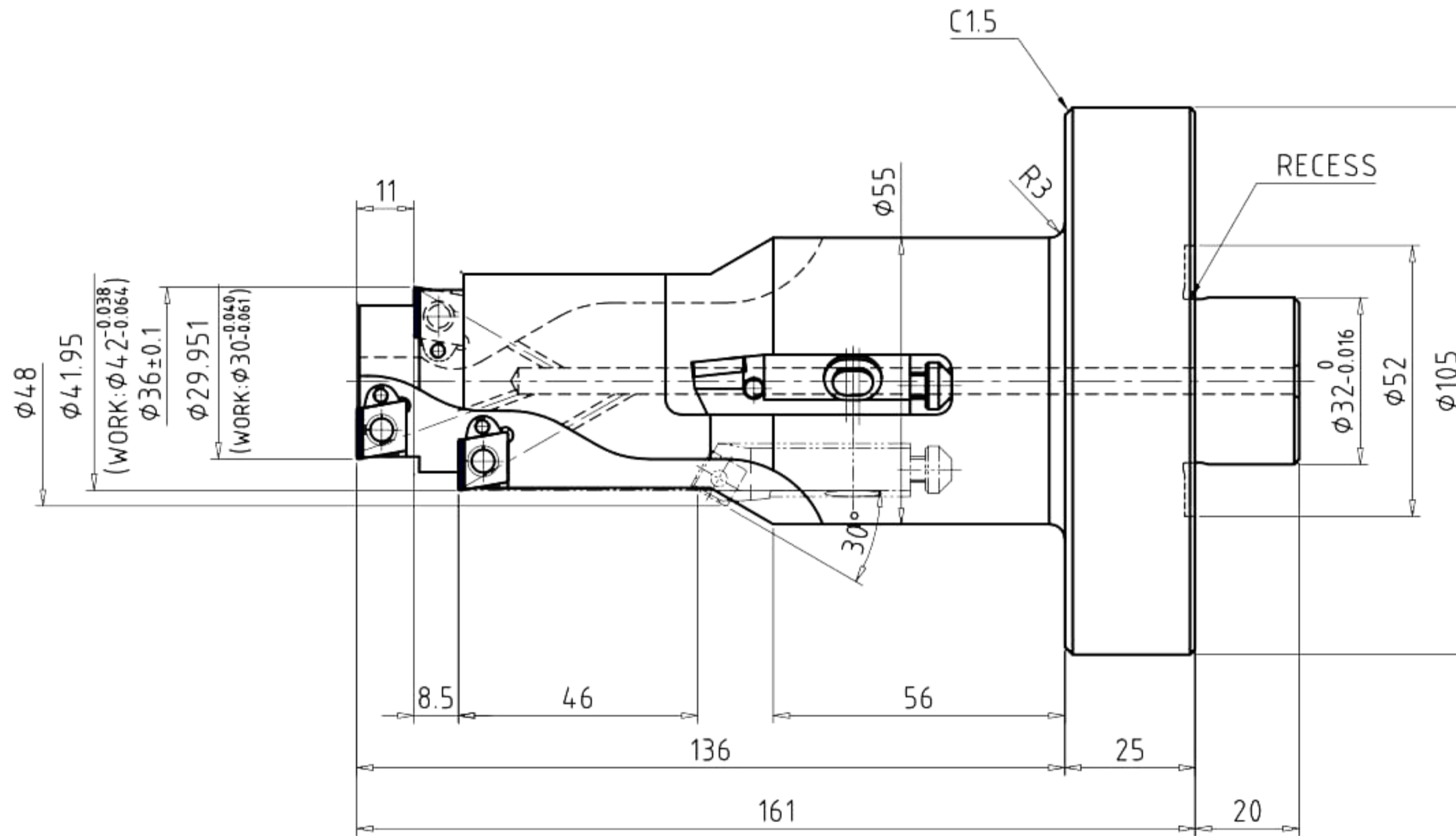
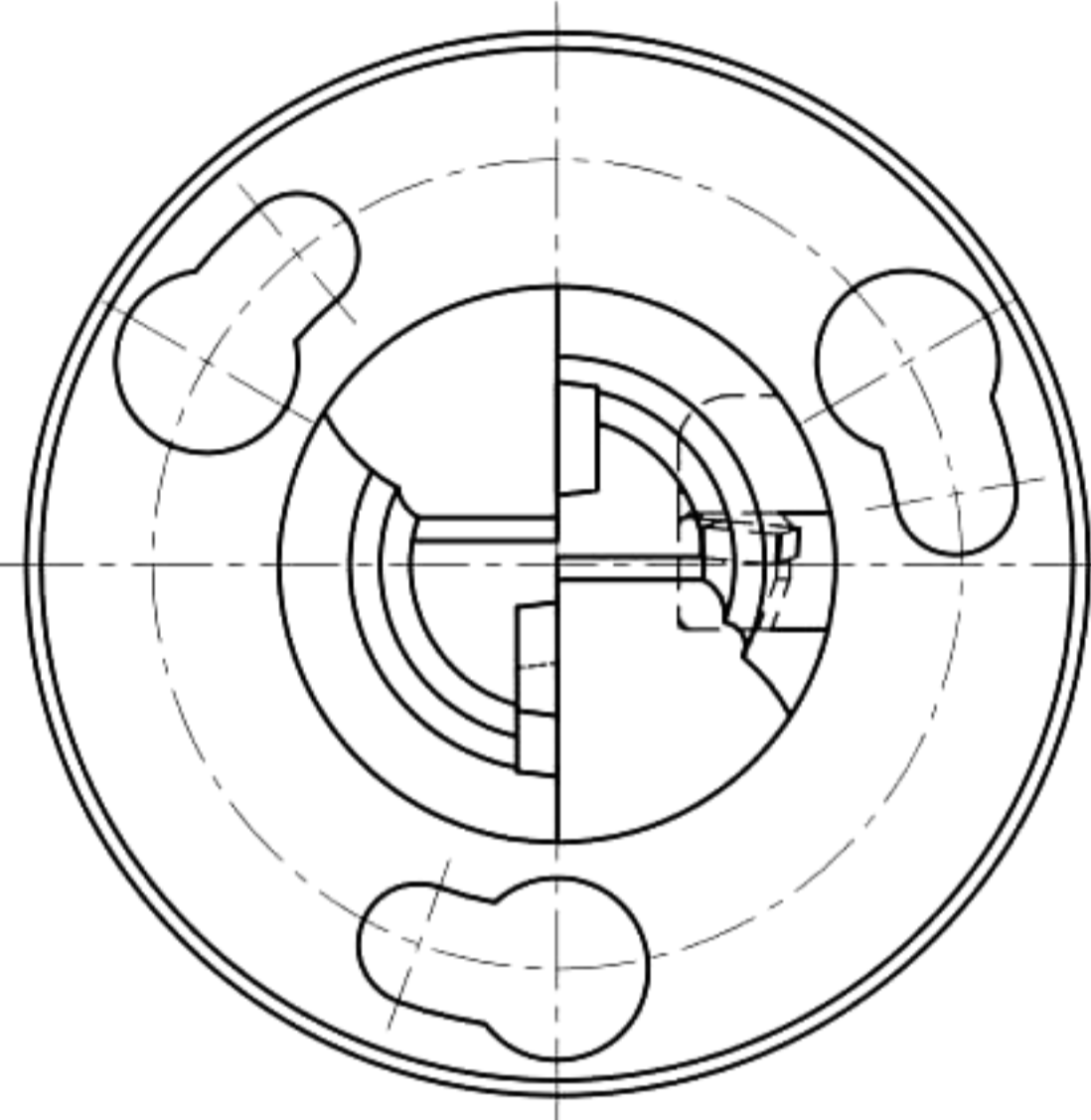


FOR APPROVAL

NO	DATE	REVISION	DRAWN
△			
△			
△			



LENGTH LIMIT (mm)	ALLOWANCE			
	LENGTH	ANGLE	STRAIGHTNESS FLATNESS	PERPENDICULARITY
L ≤ 6	±0.1	±5'	0.05	0.4
6 < L ≤ 30	±0.2	±10'	0.1	0.4
30 < L ≤ 120	±0.3	±20'	0.2	0.4
120 < L ≤ 400	±0.5	±30'	0.4	0.6
400 < L	±0.8	±1°	0.6	0.8

NO	NAME	SPECIFICATION	Q'TY	MATERIAL	REMARK
5	INSERT	SNGG07T204	1	SUMITOMO	
4	CARTRIDGE	BU133	1	SUMITOMO	
3	WEDGE	-	3		
2	INSERT	CCGW09T304	3		
1	BODY		1		

Date	Designed	Checked	Approved
	K.J,Cho	S.Y,Park	S.J,Choi
CUSTOMER :			
ITEM NO. :			
PART NAME :			
BALANCE CONDITION : - at - rpm			

TITLE :	BORING TOOL
SPEC. :	
CRM SUPPLY	
DWG. NO. :	