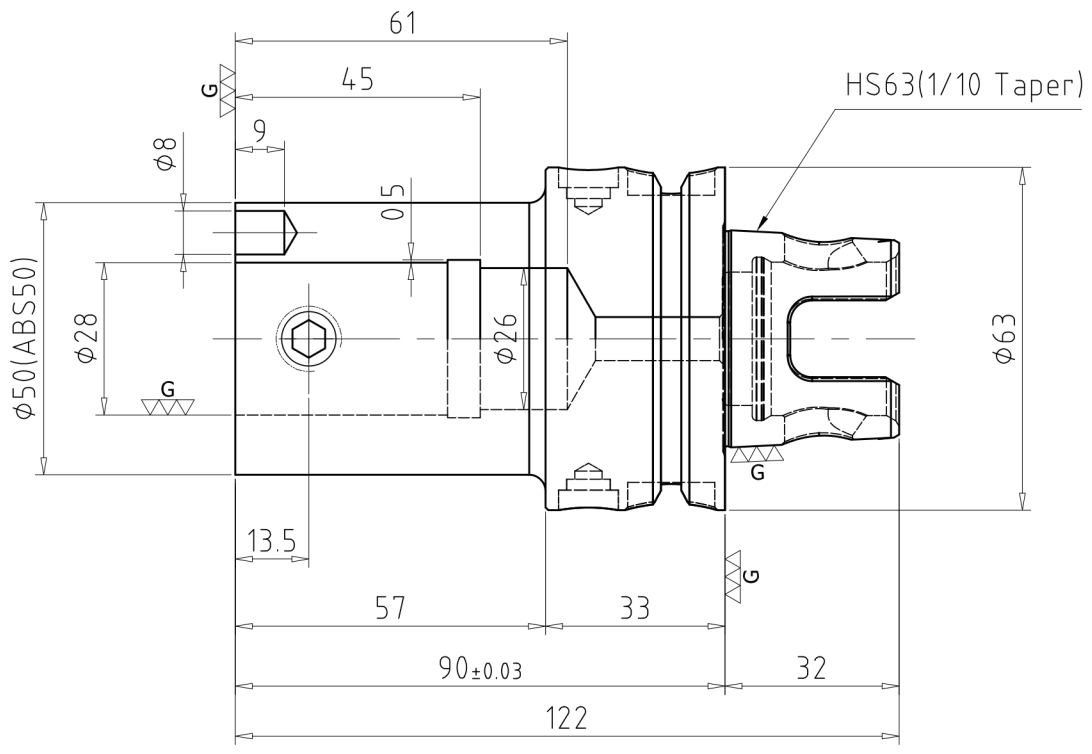
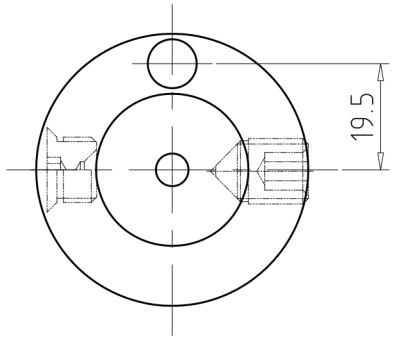


NO	DATE	REVISION	DRAWN
△			
△			
△			



BALANCING : G16 at 6000RPM
 WEIGHT:1.6KG

LENGTH LIMIT (mm)	ALLOWANCE			
	LENGTH	ANGLE	STRAIGHT- NESS FLATNESS	PERPENDICUL- -ARITY
L ≤ 6	±0.1	±5'	0.05	0.4
6 < L ≤ 30	±0.2	±10'	0.1	0.4
30 < L ≤ 120	±0.3	±20'	0.2	0.4
120 < L ≤ 400	±0.5	±30'	0.4	0.6
400 < L	±0.8	±1°	0.6	0.8

NO	PART NAME	SPECIFICATION	Q'TY	MATERIAL	REMARK
1	BODY	HS65-ABS50x90L	1		

CUSTOMER NAME :	
MACH.NO. :	SPINDLE :
PART NAME :	
MATERIAL :	HOLE NO. :
BALANCING GRADE: . AT . RPM	

		DATE	NAME
		DWG.	S.Y.PARK
ABS ARBOR		CHK.	CHOI.S.J
		SCALE : N/S	SIZE: A4
TITLE/NAME :		VERSION	
DRAWING NO :		F	
SPEC. :			